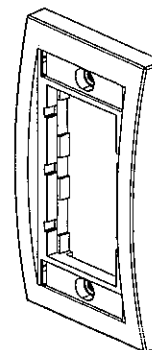
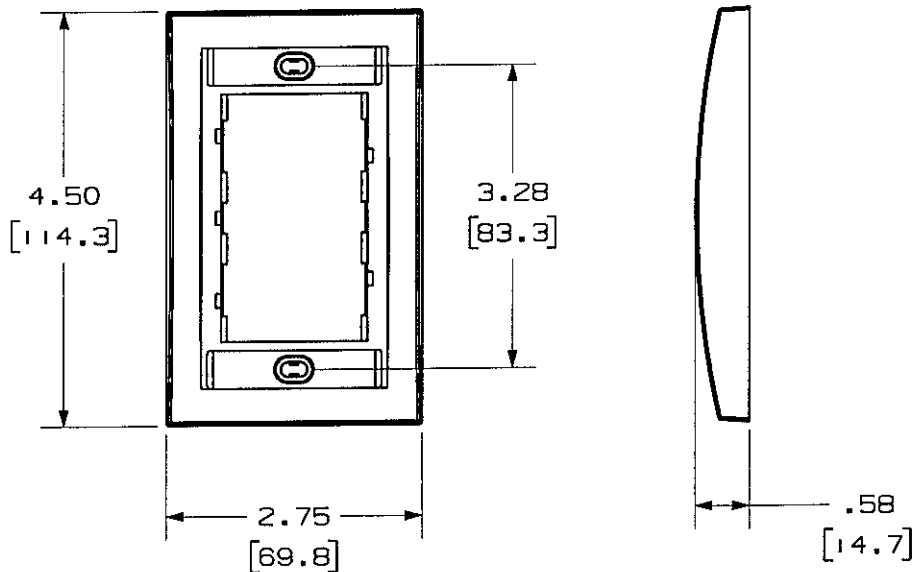


THIS COPY IS PROVIDED ON A RESTRICTED BASIS AND IS NOT TO BE USED IN ANY WAY DETRIMENTAL TO THE INTERESTS OF PANDUIT CORP.

PANDUIT P/N	WEIGHT
CBE**Y	.68 LB/10 PCS (307 g/10 PCS.)

NOTES:

- SEE CURRENT CATALOG FOR ADDITIONAL PART NUMBER SUFFIXES TO INDICATE COLOR AND OR PACKAGE QUANTITY.
- SEE CATALOG FOR COMPLETE LIST OF PARTS APPLICABLE FOR USE WITH THIS PART.
- DIMENSIONS IN [] ARE METRIC.
- PART INCLUDES:
 - 1- FACEPLATE FRAME
 - 2- #6-32 X 1" MOUNTING SCREW
 - 2- LABEL
 - 2- LABEL COVER



MODEL FILENAME	D35544BF_CBE_02.PRT	SIZE	A
DRAWING FILENAME	M02479EZ_DC132_00A.PRT		
NETWORK SYSTEMS MAY 26 2006 ENGINEERING DEPT			
SINGLE GANG EXECUTIVE FACEPLATE FRAME CUSTOMER DRAWING			
	PANDUIT TM CORP. TINLEY PARK, ILL 60477	I.I. NUMBER	N/A
	THIRD ANGLE PROJECTION	PRODUCT SPEC	N/A
ALL DIMENSIONS ARE GIVEN IN INCHES, UNLESS OTHERWISE SPECIFIED. DIMENSIONAL TOLERANCES ARE: (.X) ± (.XXX) ± .010(.3) (.XX) ± .031(.8) ANGLES ±		WORK INSTRUCTION	N/A
DRAWN BY	JsP	SCALE	NONE
DATE	4-19-06	PART NO.	CBE**Y
REV	4-19-06	MATERIAL	ABS
DATE	4-19-06	DRAWING NO.	02479-132
BY	JsP		
CHK	M/D		
DESCRIPTION	RELEASED TO PRODUCTION		
ECN	02479-132		
R			
CUST			
SUP			
OTH			

NETWORK SYSTEMS
MAY 26 2006
ENGINEERING DEPT



ALL DIMENSIONS ARE GIVEN IN INCHES, UNLESS OTHERWISE SPECIFIED.
DIMENSIONAL TOLERANCES ARE:
(.X) ± (.XXX) ± .010(.3)
(.XX) ± .031(.8) ANGLES ±

DRAWN BY: JsP
DATE: 4-19-06
MATERIAL: ABS
PART NO.: CBE**Y
DRAWING NO.: 02479-132

REV	DATE	BY	CHK	DESCRIPTION	ECN	R	CUST	SUP	OTH
R	4-19-06	JsP	M/D	RELEASED TO PRODUCTION	02479-132				